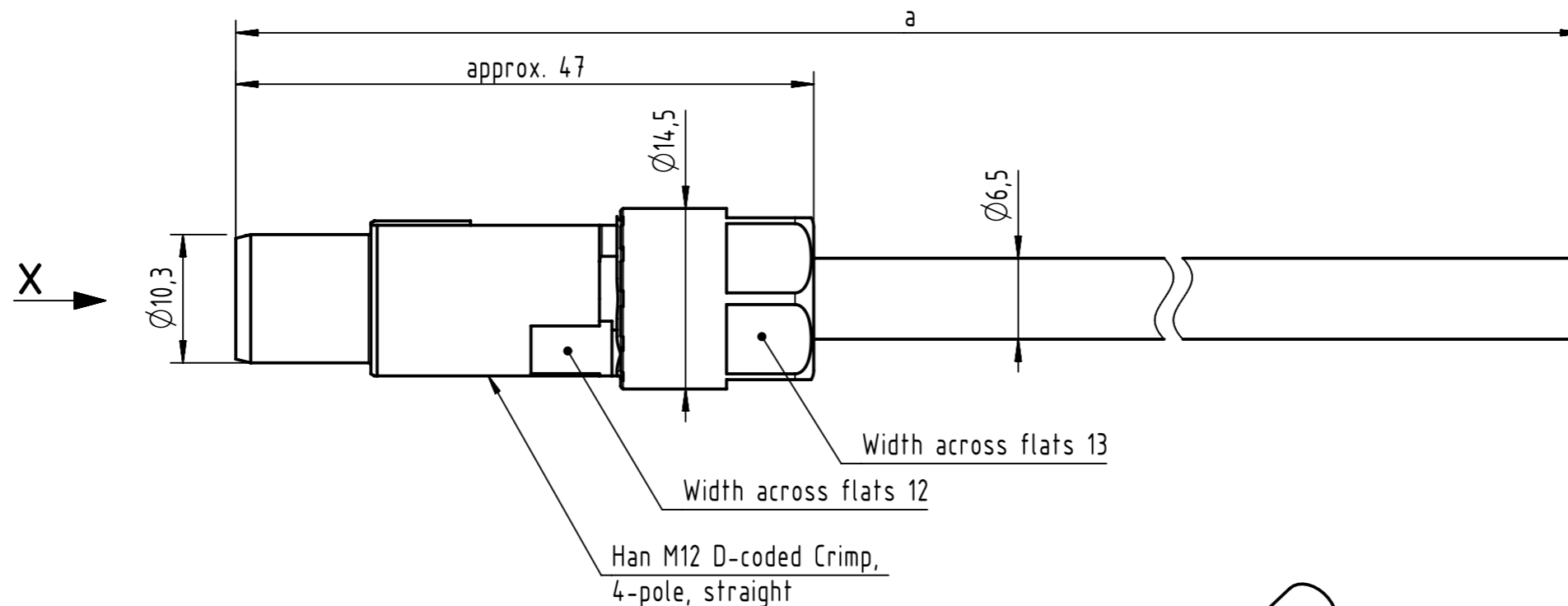
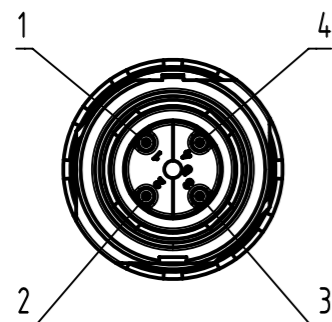


Connector Location A

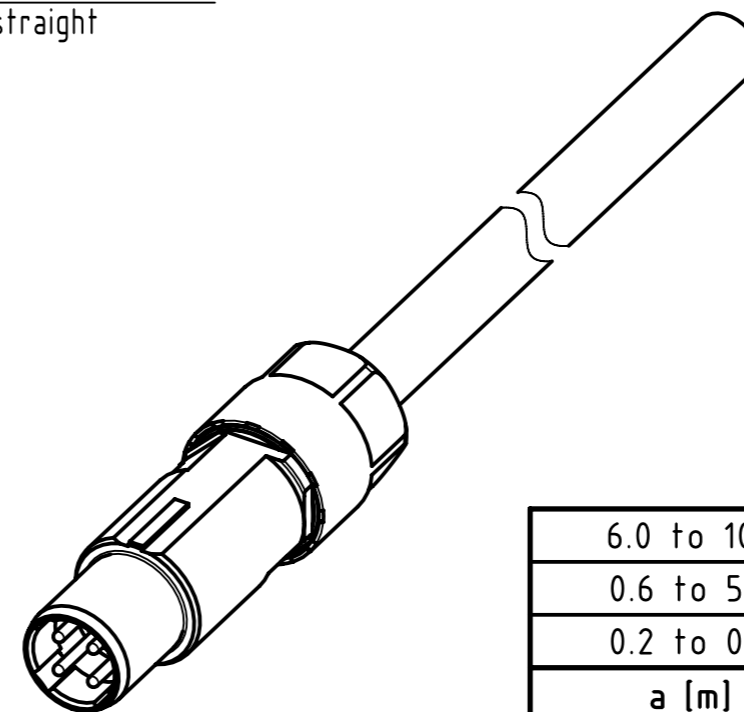
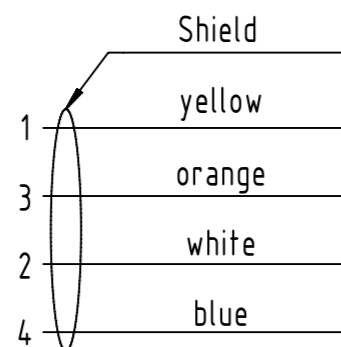
Connector Location B



X
male



Loading Plan



| | |
|--------------|------------------|
| 6.0 to 100 | ±1% |
| 0.6 to 5.9 | +0.04 |
| 0.2 to 0.5 | +0.02 |
| a [m] | Tolerance |

| | | |
|-----------------------|--------------|------------|
| length in "1m" step | 100 | XXX=000 |
| | 99 | XXX=990 |
| | 12 | XXX=120 |
| | 11 | XXX=110 |
| length in "0.1m" step | 10 | XXX=100 |
| | 9.9 | XXX=099 |
| | 9.8 | XXX=098 |
| | 0.5 | XXX=005 |
| | 0.4 | XXX=004 |
| | 0.3 | XXX=003 |
| 0.2 | XXX=002 | |
| Step | a [m] | XXX |

RJI Ethernet Trailing Cable,
4xAWG 22/7, PUR, Cat. 5+, green

0948C200004XXX

Type of cable

Part no.

- Temperature range: -40°C ... +70°C

| | | | | | | |
|---|---------------------|--------------------------------------|----------------------------------|--|--|------------------------|
| | All rights reserved | Created by MUNTEANV Muntean | Inspected by COSTEA Costea | Standardisation MUNTEANV Muntean | Date 2022-03-24 | State Final Release |
| | Department HCS - RO | Title Han M12 D-cod 4-pol m/- PUR | | | Doc-Key / ECM-Nr. 101002860/UGD/000/A 500000214443 | |
| HARTING Customised Solutions D-32339 Espelkamp | | Type TB | Number 0948C200004XXX | | Rev. A | Page 1/1 |